



APPLICATION FOR COST SHARING OF GOOD NEIGHBOR FENCING

Tel: (408) 630-2650
Fax: (408) 979-5635

5750 Almaden Expressway, San Jose, CA 95118

To be good neighbors with adjoining property owners, the Santa Clara Valley Water District (Valley Water) established a policy to share in the cost to replace or install fencing that serves as a dividing boundary between Valley Water and adjoining property. Valley Water must own the adjoining parcel and the fencing must serve a Valley Water need. If you wish to have Valley Water share in the cost of replacing or installing a fence between your property and Valley Water's, please make a written request to: Community Projects Review Unit at the letterhead address, or by email to: cp ru@valleywater.org.

The Written Request Should Include the Following

- Fence Cost Share Application (Page 2).
- Plan or sketch of the property showing location and dimensions of fencing to be cost shared. An example plan is included in this packet.
- Details of fence construction. Example details area included in this packet.
- Certificate of insurance with an additional insured endorsement may be required. The certificate of insurance is required from contractors that wish to access Valley Water property to construct the fence and move material or equipment. If the insurance is unavailable at the time of application it will be required for issuance of the permit. Insurance requirements are provided upon request, when needed.

Upon Receipt of Your Written Request

- Valley Water will review the application to confirm eligibility for fence cost sharing. If eligible, Valley Water will issue a permit for fence construction. Valley Water will only cost share if a permit is issued before construction begins. Please allow approximately 3 weeks for processing the permit.
- Upon receipt of a Valley Water permit, your construction may proceed.
- Upon completion of the fence construction, notify the inspector identified on the permit. Valley Water will inspect the fence installation to ensure compliance with Valley Water permit conditions. Submit an invoice or copy of the contractor's bill to Valley Water's Community Projects Review Unit.
- Please allow 4 to 6 weeks from submission of the invoice for receipt of the check.

FENCE COST SHARE APPLICATION

APPLICANT INFORMATION	PROPERTY OWNER INFORMATION (if different)
Name:	Name:
Address:	Address:
Phone No. (Day): () -	Phone No. (Day): () -
Email:	Assessor's Parcel No.: _____ - _____ - _____ (Located on Your Property Tax Bill)
Name of Creek or Valley Water Facility Adjacent to Property (if known):	
Type of Fence to be Installed: <input type="checkbox"/> Wood <input type="checkbox"/> Chain Link <input type="checkbox"/> Other (Specify): _____ Height: _____	
(Construction details or estimate must be attached)	

The Conditions for Valley Water Cost Sharing Are

- Valley Water's share of the cost of the common fence is ½ the actual costs but shall not exceed \$14.40 per linear foot. (This is based on a periodic assessment of the average cost of the installation of a chain link fence.) The cost of upgrades will not be shared.
- Construction of the fence must meet local city, town or county ordinances and requirements. It is the property owner's responsibility to determine the applicability of such regulations.
- The typical fence construction details provided with this application are to be used as a minimum to provide for acceptable structural integrity. Proposed variations must be shown on your application and must be approved by Valley Water. Valley Water will share up to \$14.40 per linear foot toward the material and installation of any bona-fide type of fence.
- Barbed wire, points, broken glass, or other hazardous features may not be placed on or near the fence.
- Maintenance of the fence is the responsibility of the property owner. Alterations or modifications to the fence must have prior written approval from Valley Water.
- The fence must be located on the common property line. Encroachment onto Valley Water property is not allowed.
- **Access on to Valley Water property is not allowed, except under permit for actual construction of the fence. Fence construction may not incorporate gates.**
- **All debris and trash resulting from fence demolition and/or installation must not be allowed to enter into the creek and must be removed from Valley Water property.**
- The life expectancy of the fence is 20 years. Valley Water will not cost share for a replacement fence within this period except under special circumstances.
- Valley Water reserves the right to decline to cost share and may, at its own cost, install a chain link fence or other fencing as appropriate.

Acknowledgment:

I have read and understand each of above conditions and in consideration for the receipt of the cost sharing funds, hereby apply for a permit to construct the fence in accordance with the provisions stated above.

Signature

Date

Print Name

Date

STREET NAME

NAME:

ADDRESS:

ASSESSOR'S PARCEL NUMBER (APN):

PROPERTY LINE

GOOD NEIGHBOR FENCE

PROVIDE DIMENSION IN FEET

SCVWD CREEK OR OTHER FACILITY



Valley Water

5750 ALMADEN EXPY, SAN JOSE 95118
PHONE: (408) 630-2600

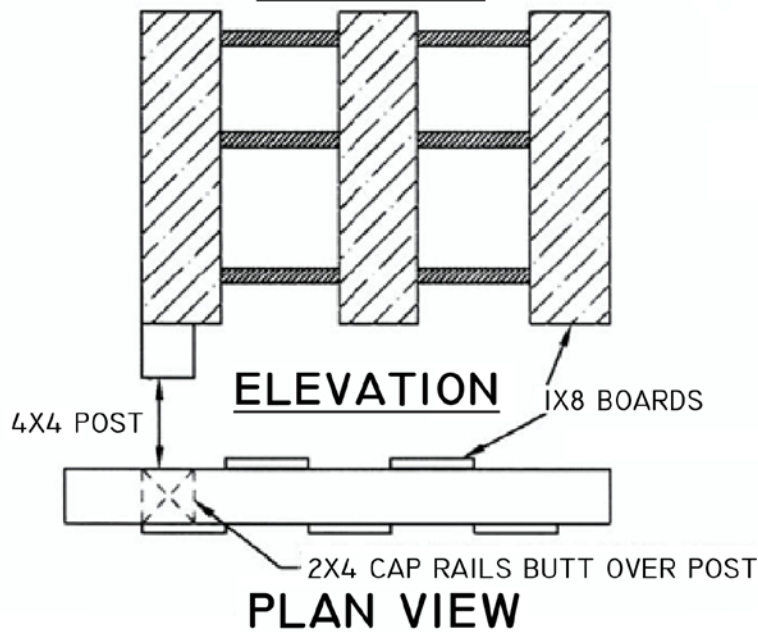
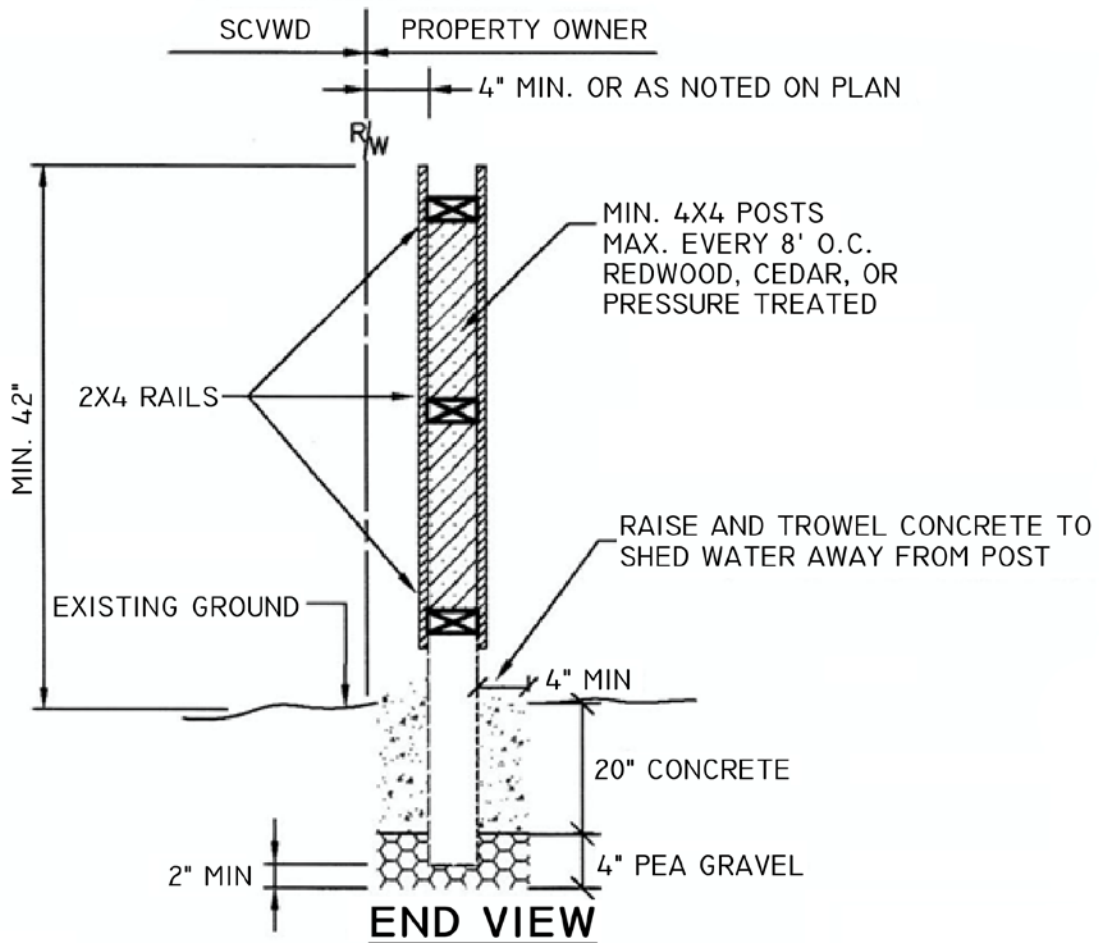
SCALE:

N.T.S

SHEET57.DWG

REVISED 3/1/2019

PLAN SKETCH
GOOD NEIGHBOR FENCE



SCALE: N.T.S.

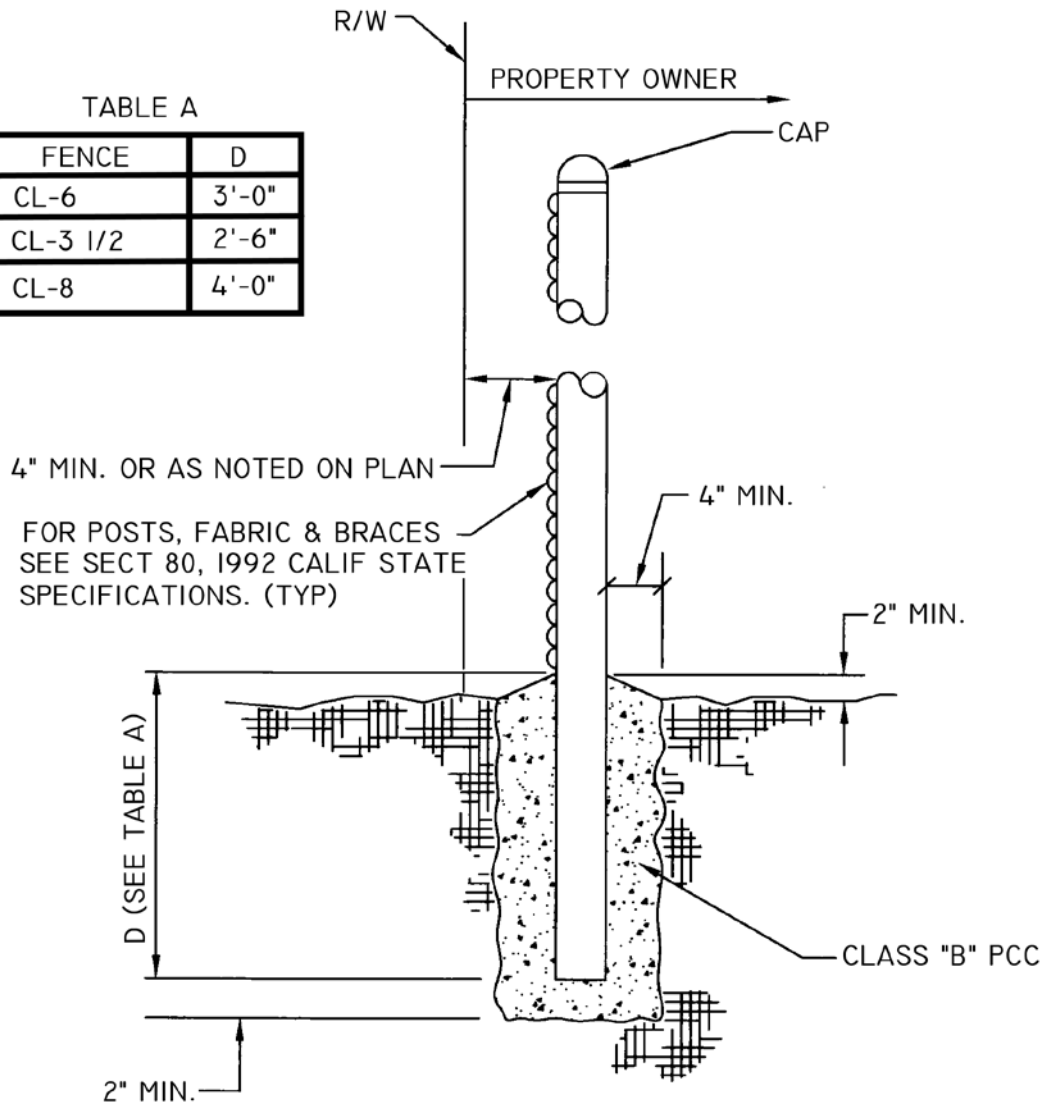
GOOD NEIGHBOR FENCING WOOD FENCE


SHEET59.DWG

REVISED 3/1/2019

TABLE A

FENCE	D
CL-6	3'-0"
CL-3 1/2	2'-6"
CL-8	4'-0"



 **Valley Water** 5750 ALMADEN EXPY, SAN JOSE 95118
PHONE: (408) 630-2600

SCALE: N.T.S.

SHEET58.DWG REVISED 3/1/2019

CHAIN LINK FENCE INSTALLATION